

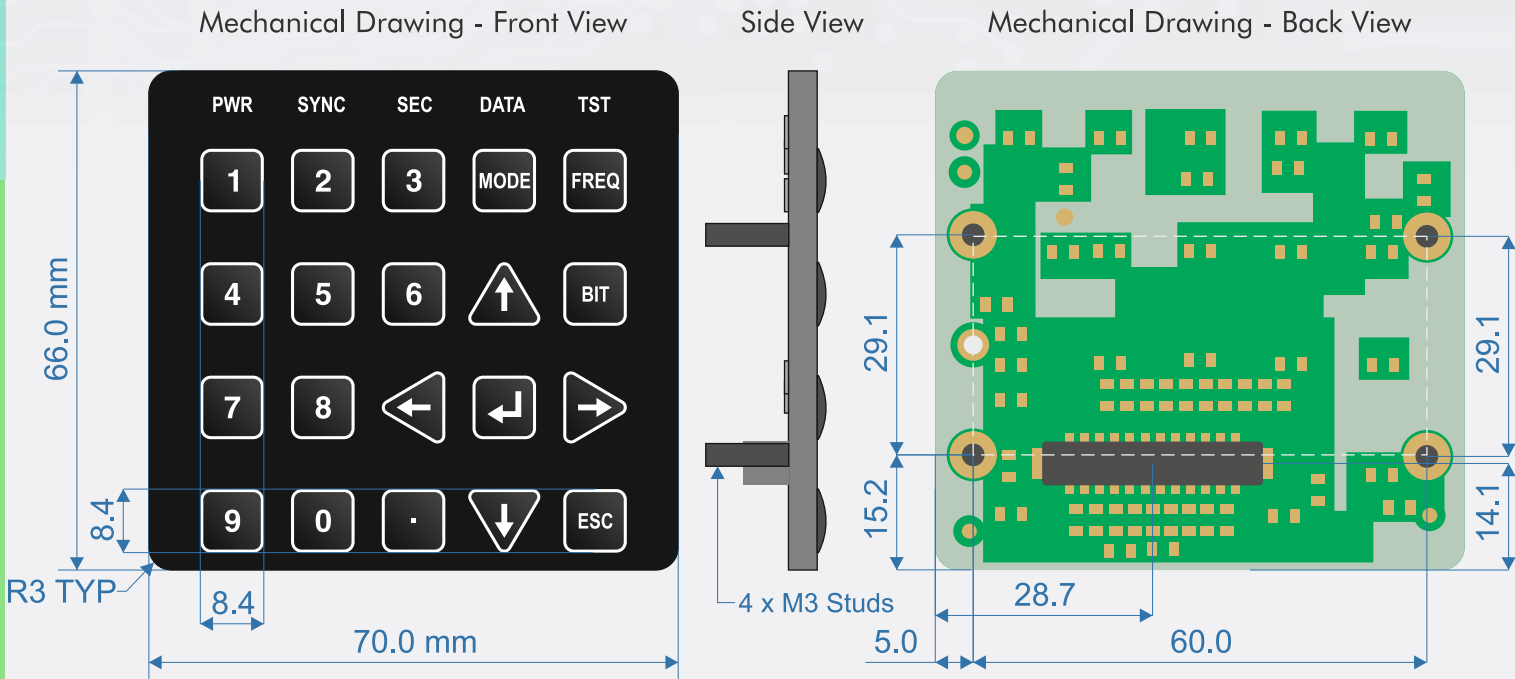
# 5 x 4 Illuminated Keypad

MPN : KIPL 23-5973

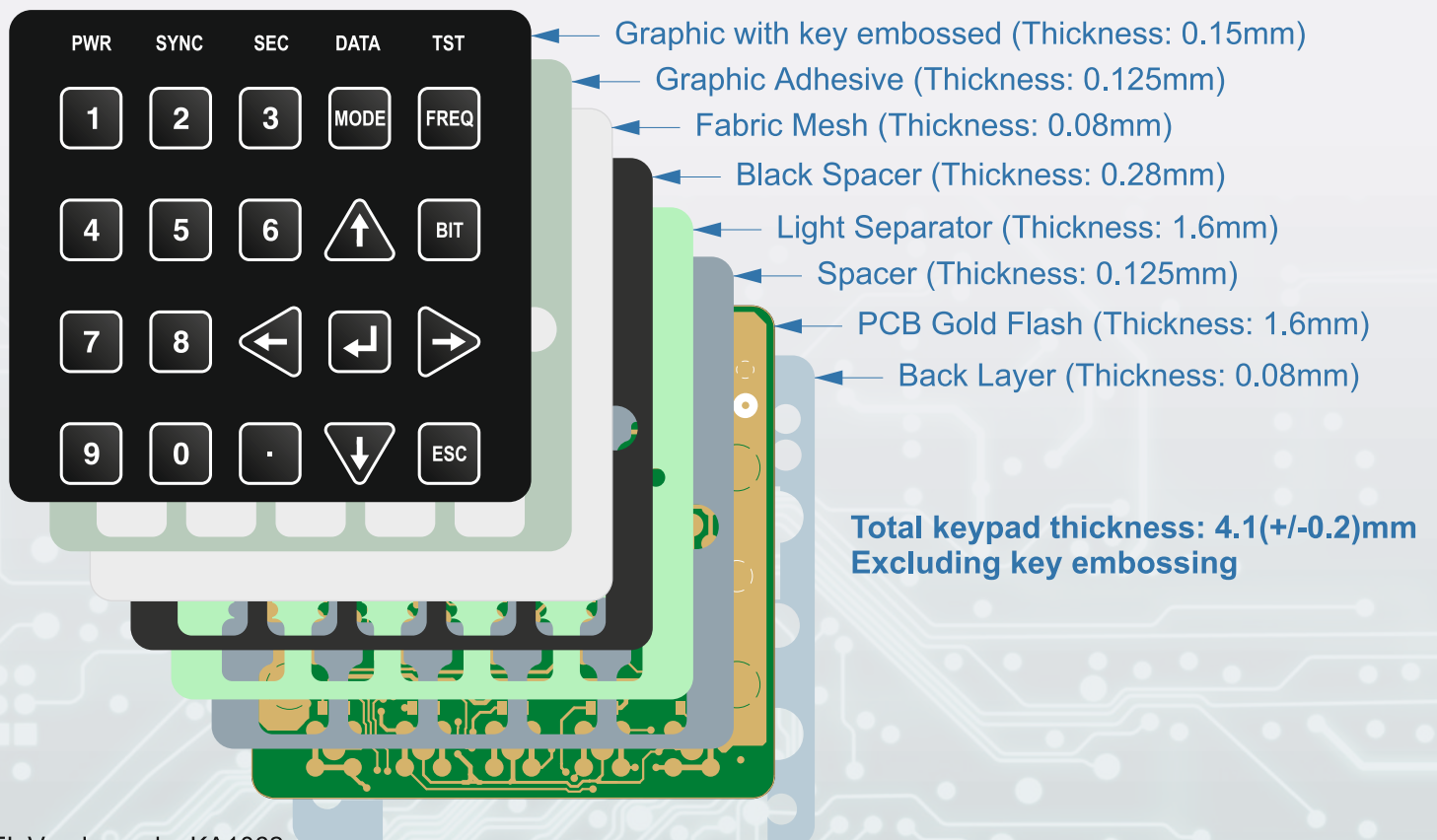
The Kee to Excellence...

Keetronics has earned an enviable reputation for the design and manufacture of advance input devices providing the highest quality and reliability for various diverse applications. With exceptionally talented and experienced team with a collective experience of more than 30 years, Keetronics is qualified to meet the challenges of the Defense sector and provide end to end solutions for the user interface required for the products required in the battle field.

## CAD Drawing

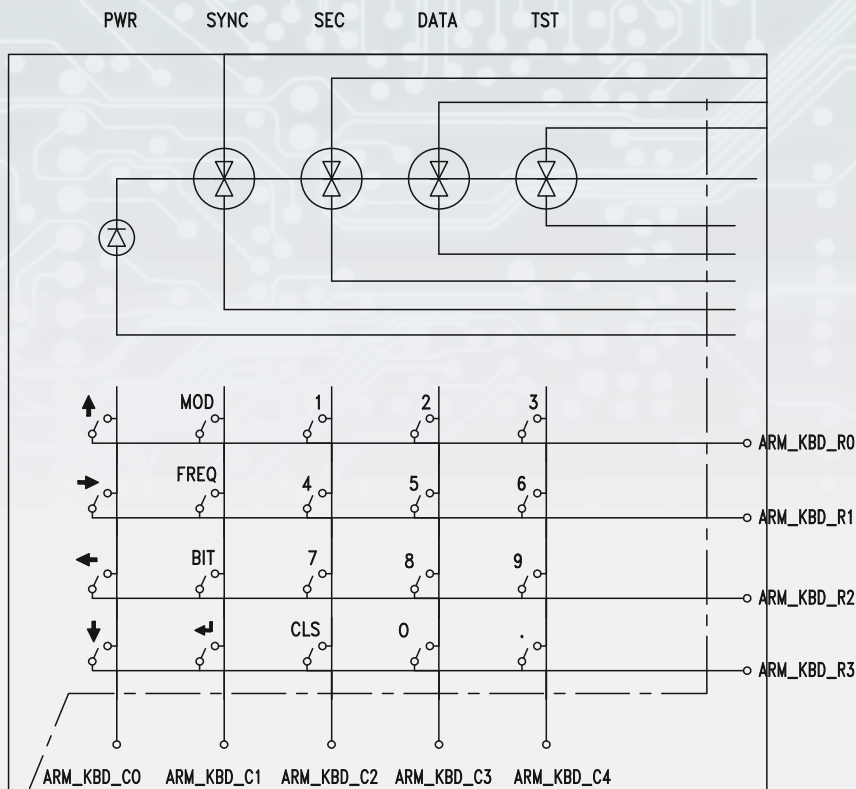


## Keypad - Layer Construction

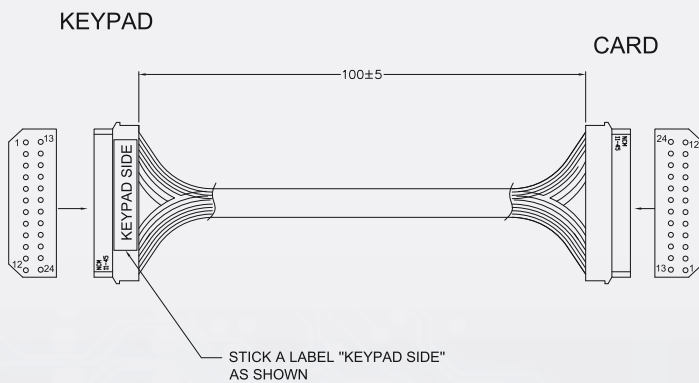


BEL Vendor code: KA1062

## Keypad - Schematic Diagram

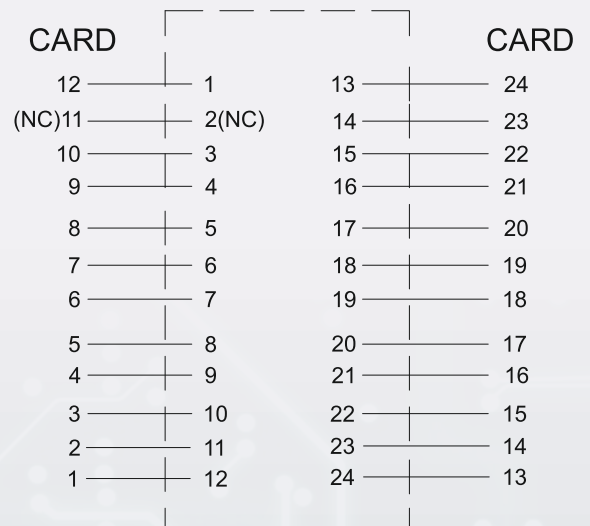


## Keypad - Cable Details



## Connection Details

### KEYPAD



## Standard Operating Characteristics / Specifications

1. Operating Voltage: 5V DC
2. Contact Resistance: 10 Ohms
3. Life Expectancy : 1 Million operations
4. Activation Force : 300-350 grams
5. Backlit color : White
6. Contact Bounce: 10 milliseconds
7. Operating Temperature : -20°C to +70°C
8. Humidity : 95% RH/40°C
9. Dimensional Tolerance : +/-0.2mm
10. Degree of protection : IP67