

11 KEYS RIGHT

MPN : KIPL 22-5824

The Kee to Excellence...

Keetronics has earned an enviable reputation for the design and manufacture of advance input devices providing the highest quality and reliability for various diverse applications. With exceptionally talented and experienced team with a collective experience of more than 30 years, Keetronics is qualified to meet the challenges of the Defense sector and provide end to end solutions for the user interface required for the products required in the battle field.

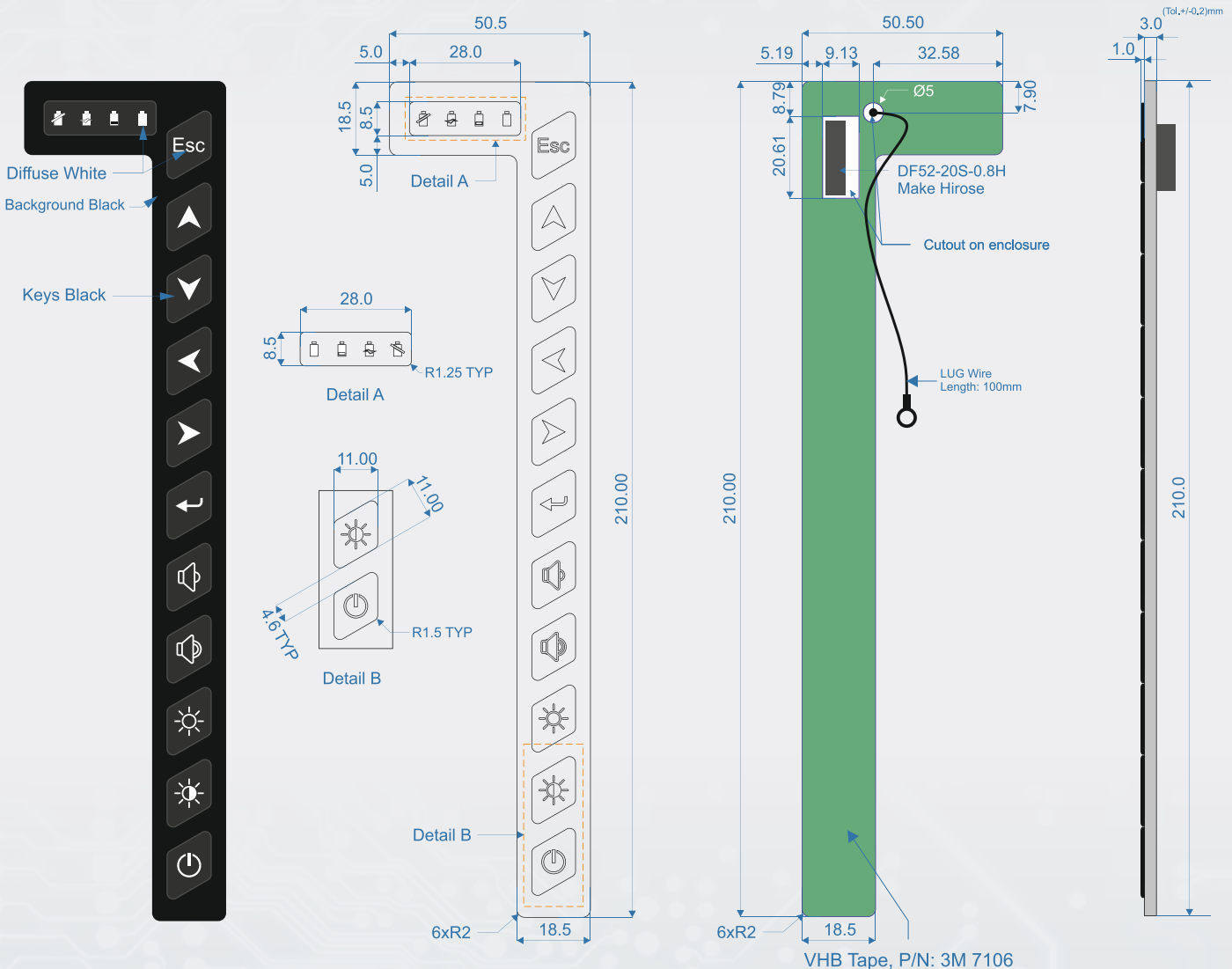
CAD Drawing - PCB No. 22-5893

Keypad - Front View

Mechanical Drawing

Keypad - Back View

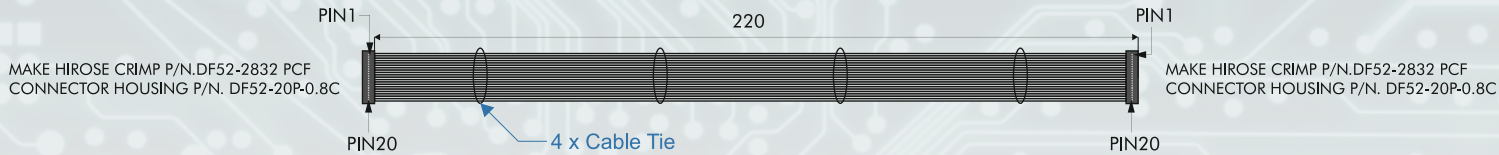
Keypad - Side View



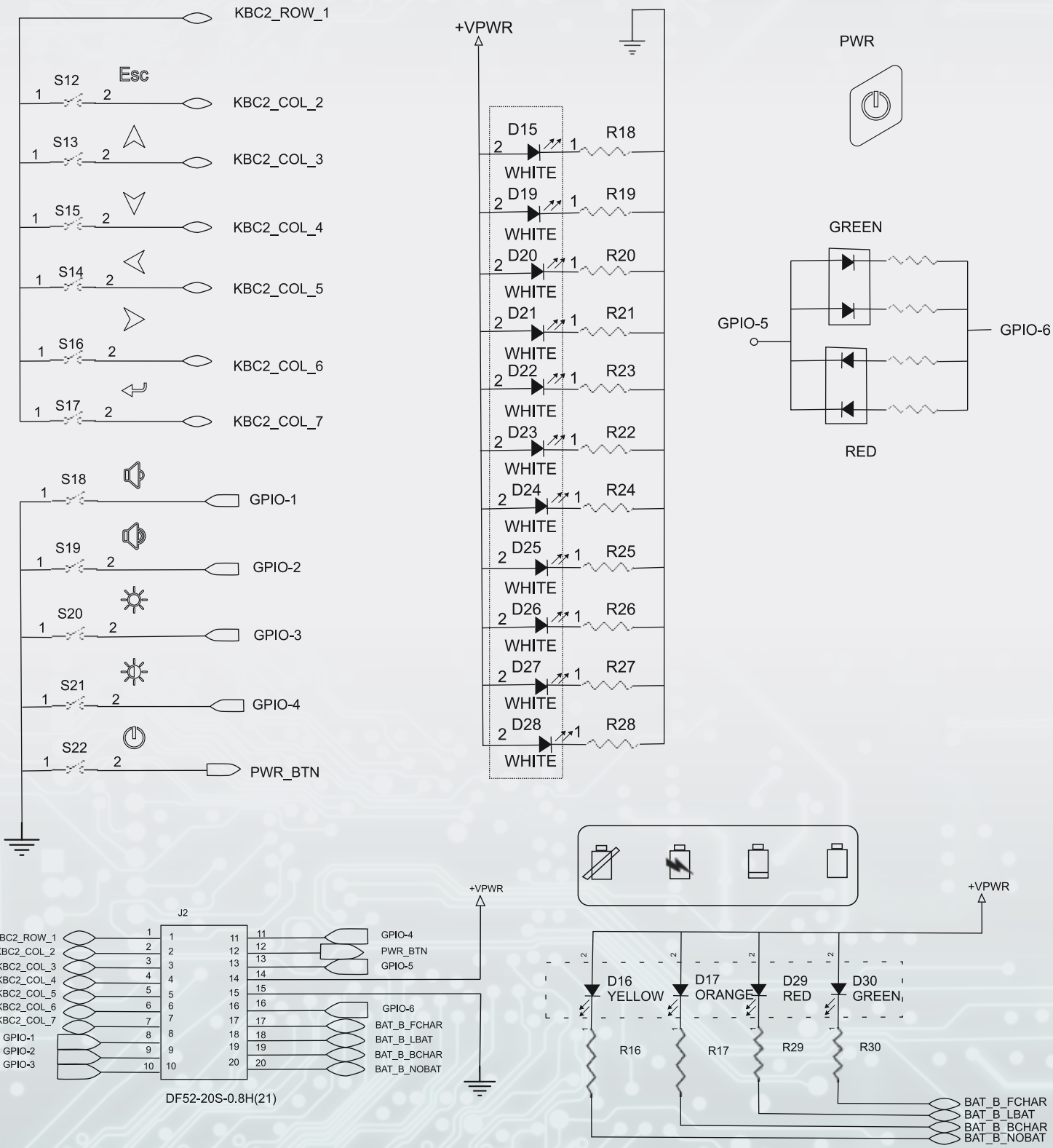
Standard Operating Characteristics / Specifications :

1. LED Operating Voltage: 3.3/5V DC
2. Contact Resistance: 10 Ohms
3. Life Expectancy : 1 Million operations of Metal Dome
(Tested under standard condition)
4. Activation Force : 300-380 grams
5. Contact Bounce: 10 milliseconds
6. Operating Temperature : -20°C to +60°C
7. Humidity : 95% RH/40C/48 Hrs.
8. Degree of protection - Ip67 (Test to be conduct by customer)
9. Dimensional Tolerance : ± 0.2 mm
10. Refer page 3 for keyboard pasting instruction

Cable Details



Pinout Details



Keypad Pasting Instruction/ Adhesive Properties

1. Clean your hands and wipe it with a clean cotton cloth - 3M make.
2. Check that your hands are oil, grease, dust free.
3. Clean and wipe the surface area with IPA on which the keyboard is to be pasted.
4. Check the pasting area is dry, oil and dust free.
5. Check the pasting area flatness, it should be without scratches, bumps and dent marks.
6. Take the keyboard remove 1/4th of the release paper from the keyboard.
Don't remove entire release paper.
7. Align the keyboard to the pasting area and slowly remove the remaining release paper.
8. Do not apply the more pressure on keys for pasting the keyboards.
9. Take care that the adhesive is free of dust and finger prints.
10. Do not try to re-align the keyboard once it is pasted.
11. Adhesion curing time is minimum 4 Hrs., before that do not try to remove keyboard.
12. For more details refer handling instruction sheet provided along with keyboard dispatch.

- End -